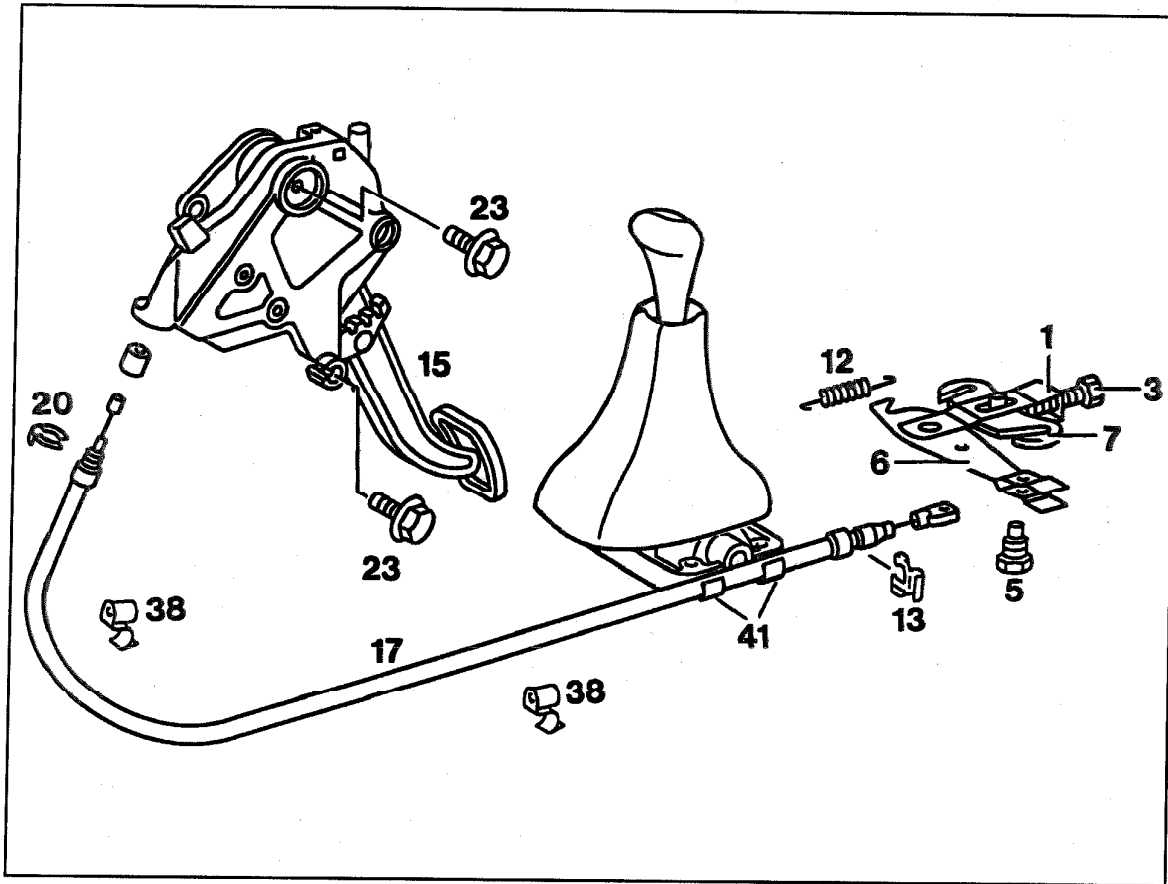


42-0520 R and R front brake cable control



P42-0254-57

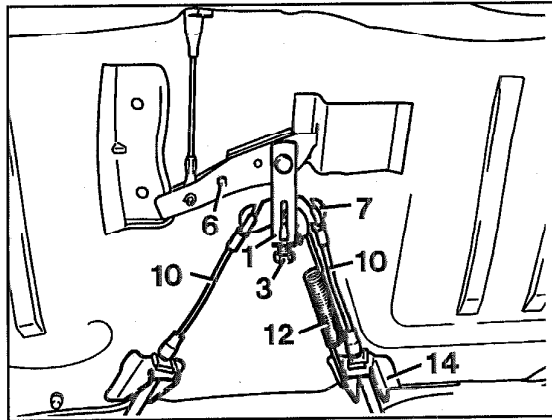
- | | |
|--|--|
| Return spring (12) | unhook on mount, hook in and turn back adjustment screw (3) on adjustment bracket (1). Adjust parking brake (42-0540). |
| Collar bolt (5) | remove, install. Disconnect brake cable (17) from intermediate lever (6). |
| Spring clip (13) | remove from cable guide on frame floor. |
| Foot mat | remove, install. |
| Cover at left below instrument panel | remove, install. |
| Brake control cable (17) | expose and unhook at pedal, hook in, remove spring clip (20) from cable guide. |

42-0520 R and R front brake cable control

Pipe clamps (38)	remove, install, for this purpose fold back carpet in rear compartment.
Cable strap (41)	open at shifting block and pull out of heater box toward rear.

Removal, installation

- 1 Unhook return spring (12) on mount (14) and turn back adjustment screw (3) on adjustment bracket (1).
- 2 Disconnect brake cable (17) at intermediate lever (6), for this purpose pull cotter pin out of collar bolt (5) and remove collar bolt.
- 3 Remove spring clip (13) from cable guide on frame floor.

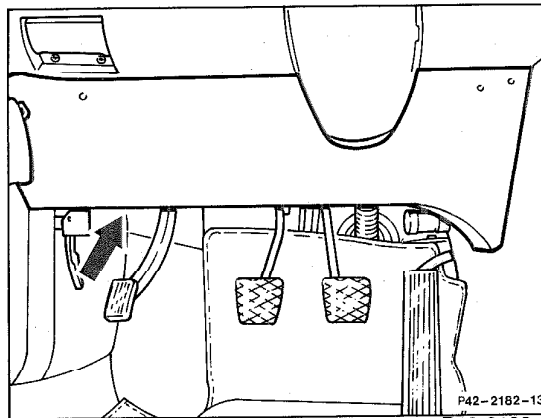


P42-2180-13

Installation note

Adjust parking brake (42-0540).

- 4 Remove foot mat.
- 5 Remove cover (arrow) below instrument panel.
- 6 Loosen center console.

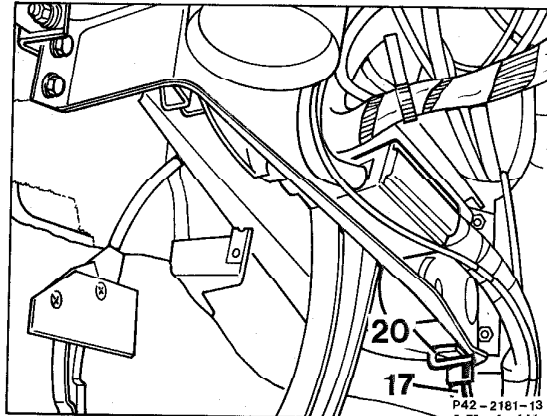


P42-2182-13

P42-2182-13

42-0520 R and R front brake cable control

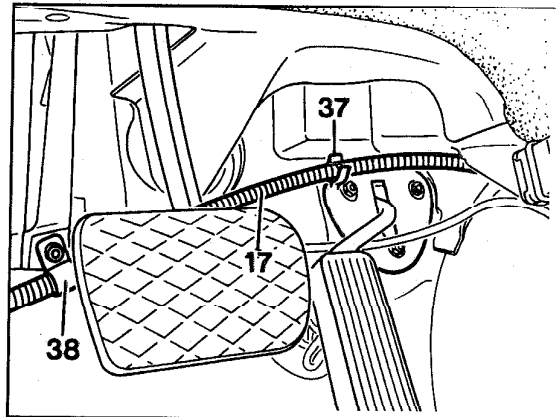
7 Unhook brake control cable (7) from tab on pedal. Remove spring clip (20) from cable guide. Remove brake control cable.



P42-2181-13

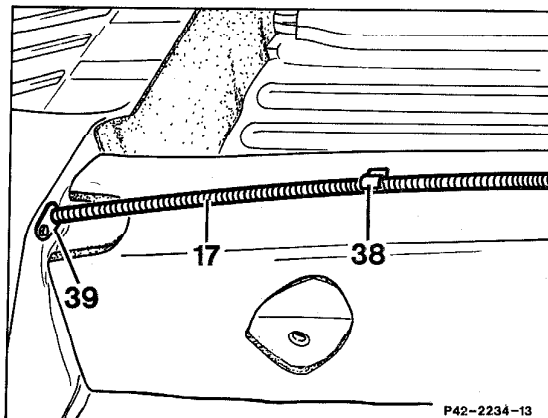
8 Loosen pipe clamp (38) on pedal assembly.

9 Remove brake control cable (17) from accelerator pedal bearing (37).



P42-2235-13

10 Fold back carpeting in rear compartment so that control cable is exposed. Lift rear seat slightly. Disconnect tab (39) and pipe clamp (38). Pull brake control cable (17) out toward front.

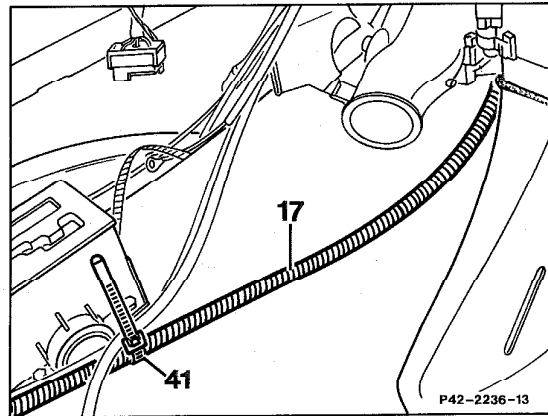


P42-2234-13

P42-2234-13

42-0520 R and R front brake cable control

11 Open cable strap (41) on shifting block and pull brake control cable (17) out of heater box toward rear.



P42-2236-13

P42-2236-13